



ENERGREEN®
Macchine Professionali



RAIBER **DISCOVERY 840**

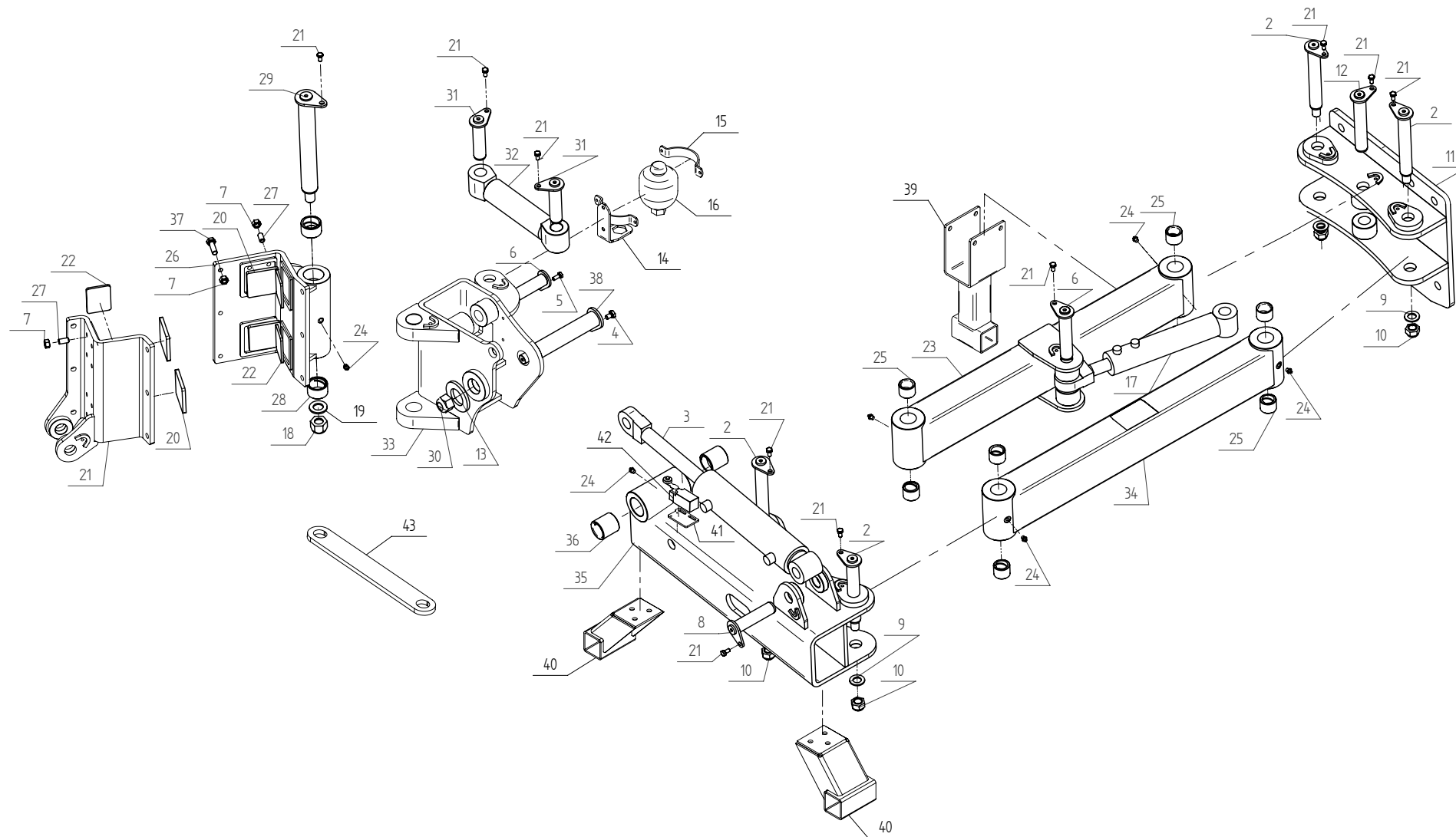


ATTACCO - CONNECTION

06-2007

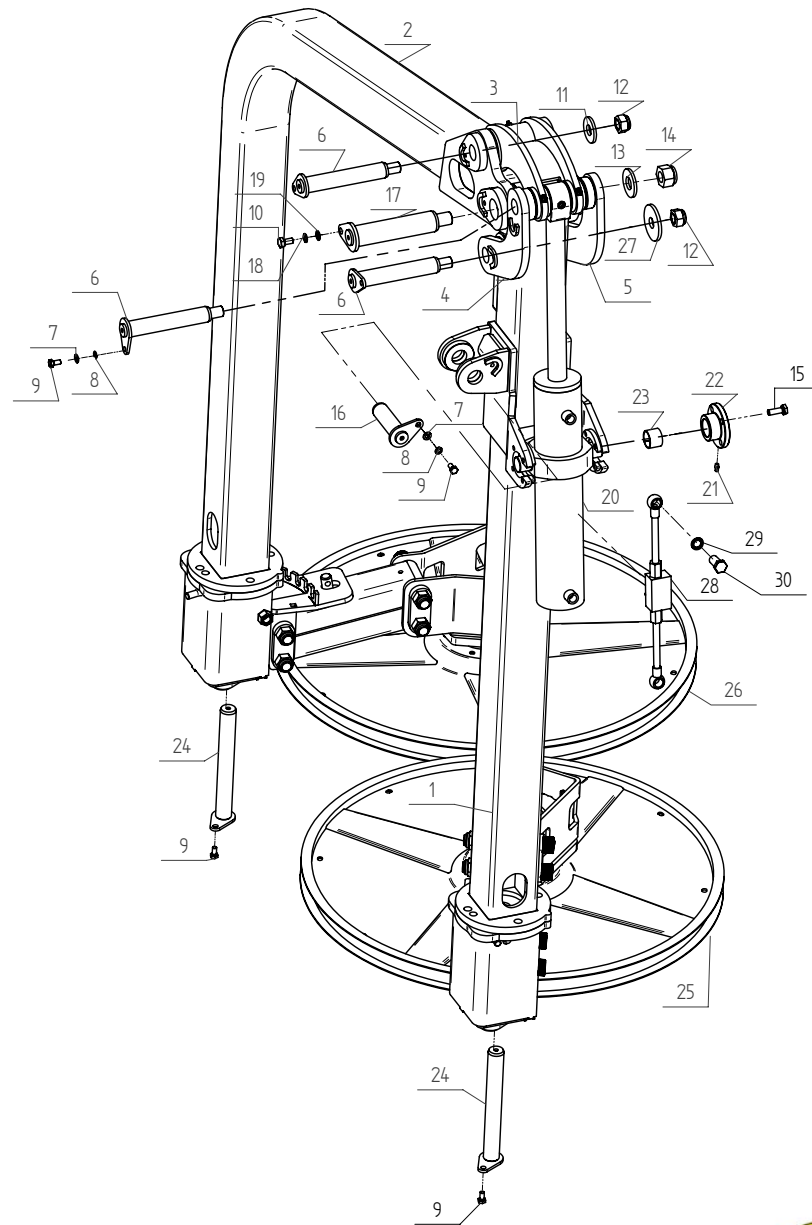
| POS. | Q.TA' | COD. | DESCRIZIONE | DESCRIPTION |
|------|-------|--------------|------------------------------|------------------------------|
| 1 | 10 | E30011208016 | VITE TE IF M8 x 16 - 8,8 | HEX. BOLT M8 x 16 - 8,8 |
| 2 | 4 | E80433023102 | PERNO ø30 L=231 | PIVOT ø30 L=231 |
| 3 | 1 | E00302420100 | CILINDRO ø70/35/215 | CYLINDER ø70/35/215 |
| 4 | 1 | E30011310016 | VITE TE IF M10 x 16 - 10,9 | HEX. BOLT M10 x 16 - 10,9 |
| 5 | 1 | E30011308020 | VITE TE IF PG M8 x 20 - 10,9 | HEX. BOLT M8 x 20 - 10,9 |
| 6 | 2 | E80413015502 | PERNO ø30 L=155 | PIVOT ø30 L=155 |
| 7 | 21 | E31020102012 | DADO M12 PG 8 | NUT M12 |
| 8 | 1 | E80413013002 | PERNO ø30 L=130 | PIVOT ø30 L=130 |
| 9 | 2 | E33011000M20 | RONDELLA M20 | WASHER M20 |
| 10 | 3 | E31050101020 | DADO AUTOBLOCCANTE M20 | LOCK NUT M20 |
| 11 | 1 | E00301222600 | ATTACCO FRONTALE | FRONT CONNECTION |
| 12 | 1 | E80413018002 | PERNO ø30 L=180 | PIVOT ø30 L=180 |
| 13 | 1 | E80740150101 | RONDELLA ø40 H=15 | WASHER ø40 H=15 |
| 14 | 1 | E00301270700 | SUPPORTO ACCUMULATORE | ACCUMULATOR SUPPORT |
| 15 | 1 | E00301270702 | CAVALLOTTO | CLAMP |
| 16 | 1 | E441ELM03210 | ACCUMULATORE | ACCUMULATOR |
| 17 | 1 | E00302420200 | CILINDRO ø50/30/170 | CYLINDER ø50/30/170 |
| 18 | 1 | E3105010224 | DADO AUTOBLOCCANTE M24 | LOCK NUT M24 |
| 19 | 1 | E33011000M24 | RONDELLA M24 | WASHER M24 |
| 20 | 4 | E00301222900 | PATTINO | PLATE |
| 21 | 1 | E00301227700 | STAFFA | SUPPORT |
| 22 | 4 | E00301223000 | PATTINO | PLATE |
| 23 | 1 | E00301222400 | BRACCIO DX | RIGHT ARM |
| 24 | 5 | E35A71001000 | INGRASSATORE M10X1 | GREASE NIPPLES M10X1 |
| 25 | 8 | E80105403030 | BOCCOLA ø40 ø30 H30 | STEEL BUSHES ø40 ø30 H30 |
| 26 | 1 | E00301227100 | FLANGIA DI ROTAZIONE | FLANGE |
| 27 | 16 | E30061412025 | VITE STEI PUNTA PIANA M12X25 | HEX. SOCKET SET SCREW M12X25 |
| 28 | 2 | E80105504030 | BOCCOLA ø50 ø40 H30 | STEEL BUSHES ø50 ø40 H30 |
| 29 | 1 | E80434034302 | PERNO ø40 L=343 | PIVOT ø40 L=343 |
| 30 | 1 | E31050101024 | DADO AUTOBLOCCANTE M24 | LOCK NUT M24 |
| 31 | 2 | E80413016002 | PERNO ø30 L=150 | PIVOT ø30 L=150 |
| 32 | 1 | E00302420400 | CILINDRO ø50/30/95 | CYLINDER ø50/30/95 |
| 33 | 1 | E00301227200 | SUPPORTO ROTAZIONE | SUPPORT |
| 34 | 1 | E00301222500 | BRACCIO SX | LEFT ARM |
| 35 | 1 | E00301221100 | SUPPORTO | SUPPORT |
| 36 | 1 | E80105504050 | BOCCOLA øe50 øi40 H50 | STEEL BUSHES øe50 øi40 H50 |
| 37 | 6 | E30011312040 | VITE TEIF M12x40 - 10,9 | HE. BOLT M12 x 40 - 10,9 |
| 38 | 1 | E80434024002 | PERNO ø40 L=240 | PIVOT ø40 L=240 |
| 39 | 1 | E00301227400 | SUPPORTO PIEDE TELESCOPICO | SUPPORT |
| 40 | 2 | E00301227500 | SUPPORTO PIEDE TELESCOPICO | SUPPORT |
| 41 | 1 | E00801222900 | SUPPORTO MICRO | MICRO SUPPORT |
| 42 | 1 | E907ER800100 | MICRO INTERRUTTORE | SWITCH |
| 43 | 1 | E00301227600 | ASTA DI SICUREZZA | LOCK |





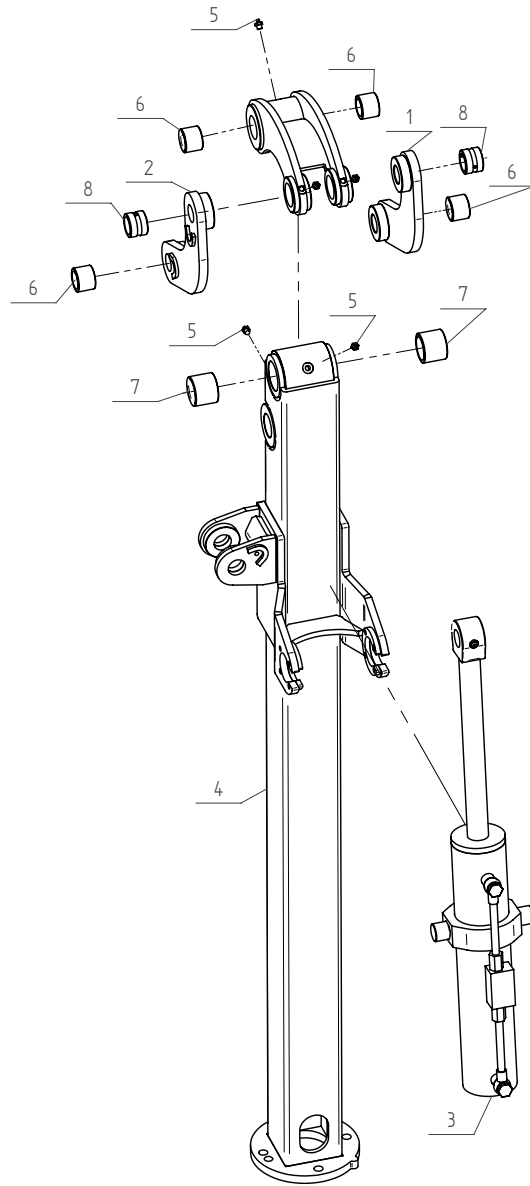
| POS. | Q.TA' | CODICE | DESCRIZIONE | DESCRIPTION |
|------|-------|--------------|-------------------------------|------------------------------|
| 1 | 1 | E00801200200 | MONTANTE SX | LEFT JAMB |
| 2 | 1 | E00801200100 | MONTANTE DX | RIGHT JAMB |
| 3 | 1 | E00301200700 | TIRANTE | TIE-ROD |
| 4 | 1 | E00301220200 | LEVA DX | RIGHT CONTROL LINK |
| 5 | 1 | E00301222700 | LEVA SX | LEFT CONTROL LINK |
| 6 | 3 | E80433020502 | PERNO Ø30 L=205 | PIVOT Ø30 L=205 |
| 7 | 4 | E33011000M08 | RONDELLA M8 | WASHER M8 |
| 8 | 4 | E33031000M08 | RONDELLA ELASTICA M8 | SPRING WASHER M8 |
| 9 | 4 | E30011208016 | VITE TE IF PG M8 x 16 - 8,8 | HEXAGON BOLT M8 x 16 - 8.8 |
| 10 | 1 | E30011310020 | VITE TE IF PG M10 x 20 - 10,9 | HEXAGON BOLT M10 x 20 - 10.9 |
| 11 | 2 | E80721500501 | RONDELLA ø21 | WASHER ø21 |
| 12 | 3 | E31050101020 | DADO AUTOBLOCCANTE M20 | HEXAGON LOCK NUT M20 |
| 13 | 1 | E80725550501 | RONDELLA ø 25 | WASHER ø25 |
| 14 | 1 | E31050101024 | DADO AUTOBLOCCANTE M24 | HEXAGON LOCK NUT M24 |
| 15 | 8 | E30011210030 | VITE TE IF PG M10 X 30 - 8,8 | HEXAGON BOLT M10 x 30 - 8.8 |
| 16 | 1 | E80413011002 | PERNO Ø30 L=110 | PIVOT Ø30 L=110 |
| 17 | 1 | E80434020902 | PERNO Ø40 L=209 | PIVOT Ø40 L=209 |
| 18 | 1 | E33031000M10 | RONDELLA ELASTICA M10 | SPRING WASHER M10 |
| 19 | 1 | E33011000M10 | RONDELLA M10 | WASHER M10 |
| 20 | 1 | E00302420000 | CILINDRO 80/35/315 | CILINDER 80/35/315 |
| | 2 | E00201100600 | BOCCOLA MONTATA | ASSY STEEL BUSHES |
| 21 | 2 | E35A10601000 | INGRASSATORE M6X1 | GREASE NIPPLES M6x1 |
| 22 | 2 | E00201125200 | BOCCOLA | STEEL BUSHES |
| 23 | 2 | E39103003425 | CUSCINETTO CILINDRICO | BEARING |
| 24 | 2 | E80413025002 | PERNO Ø 30 L= 240 | PIVOT Ø 30 L= 240 |
| 25 | 1 | E00801200500 | PIATTO SX | LEFT PLATE |
| 26 | 1 | E00801200400 | PIATTO DX | RIGHT PLATE |
| 27 | 1 | E00801222400 | RONDELLA øi=21 Øe=70 SP.=5 | WASHER øi=21 Øe=70 SP.=5 |
| 28 | 1 | E00302470100 | VALVOLA DI BLOCCO | CHECK VALVE |
| 29 | 4 | E624B5000038 | BOLT SEAL 3/8" | BOLT SEAL 3/8" |
| 30 | 2 | E63620380033 | VITE CAVA 3/8 CIECA | DRILLED SCREW |





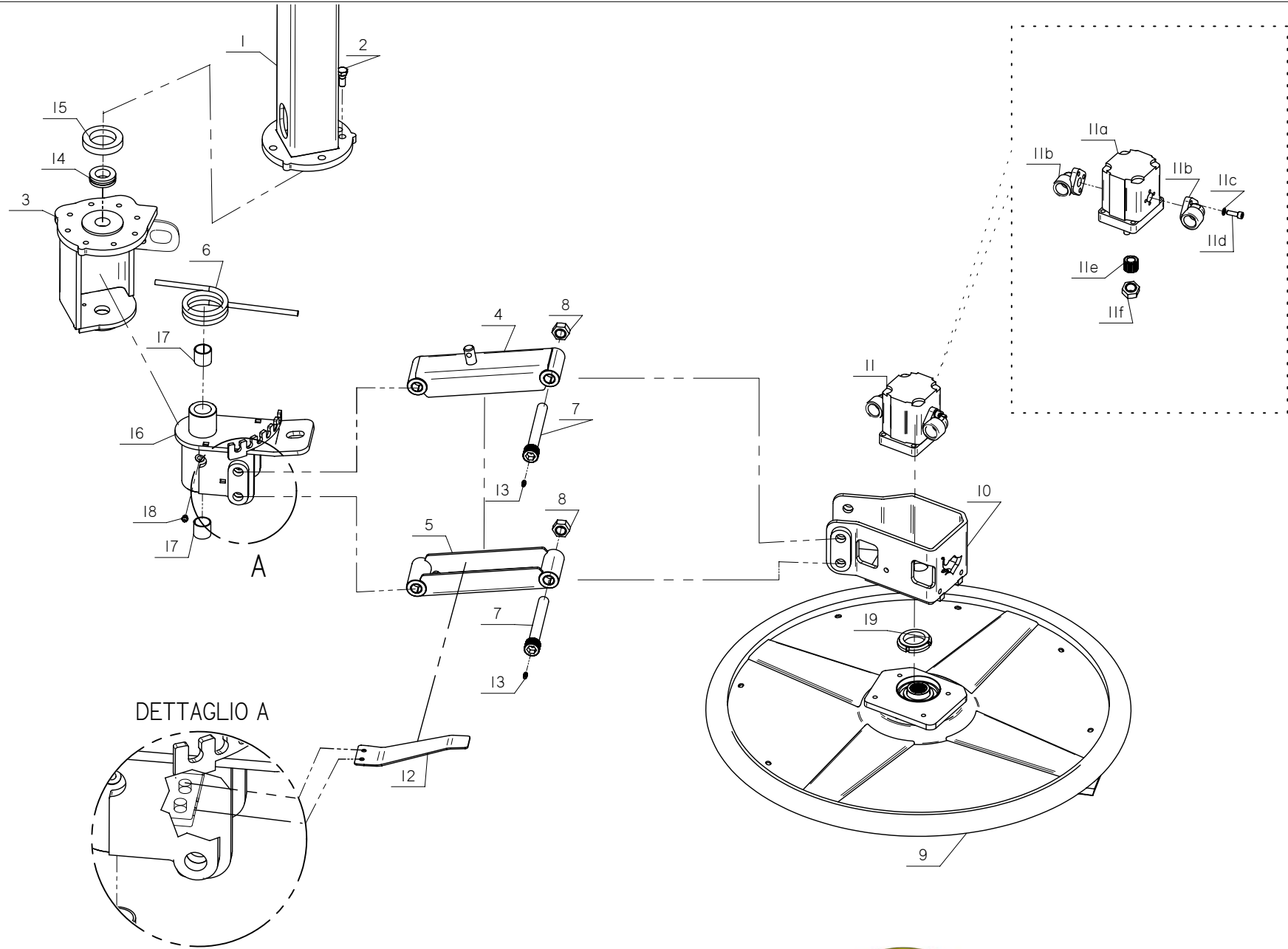
| POS. | Q.TA' | CODICE | DESCRIZIONE | DESCRIPTION |
|------|-------|--------------|---------------------------|--------------------------------|
| 1 | 1 | E00301222701 | LEVA SX | LEFT CONTROL LINK |
| 2 | 1 | E00301220200 | LEVA DX | RIGHT CONTROL LINK |
| 3 | 1 | E00302420000 | CILINDRO 80/35/315 | CYLINDER 80/35/315 |
| 4 | 1 | E00801220100 | MONTANTE SX | LEFT JAMB |
| 5 | 5 | E35A71001000 | INGRASSATORE M10X1 | GREASE NIPPLES M10x1 |
| 6 | 4 | E80105403030 | BOCCOLA LR-S Ø40 Ø30 H30 | STEEL BUSHES LR-S Ø40 Ø30 H30 |
| 7 | 2 | E80105504040 | BOCCOLA LR-S Ø50 Ø40 H40 | STEEL BUSHES LR-S Ø50 Ø40 H40 |
| 8 | 2 | E80115403030 | BOCCOLA GFR-E Ø40 Ø30 H30 | STEEL BUSHES GFR-E Ø40 Ø30 H30 |





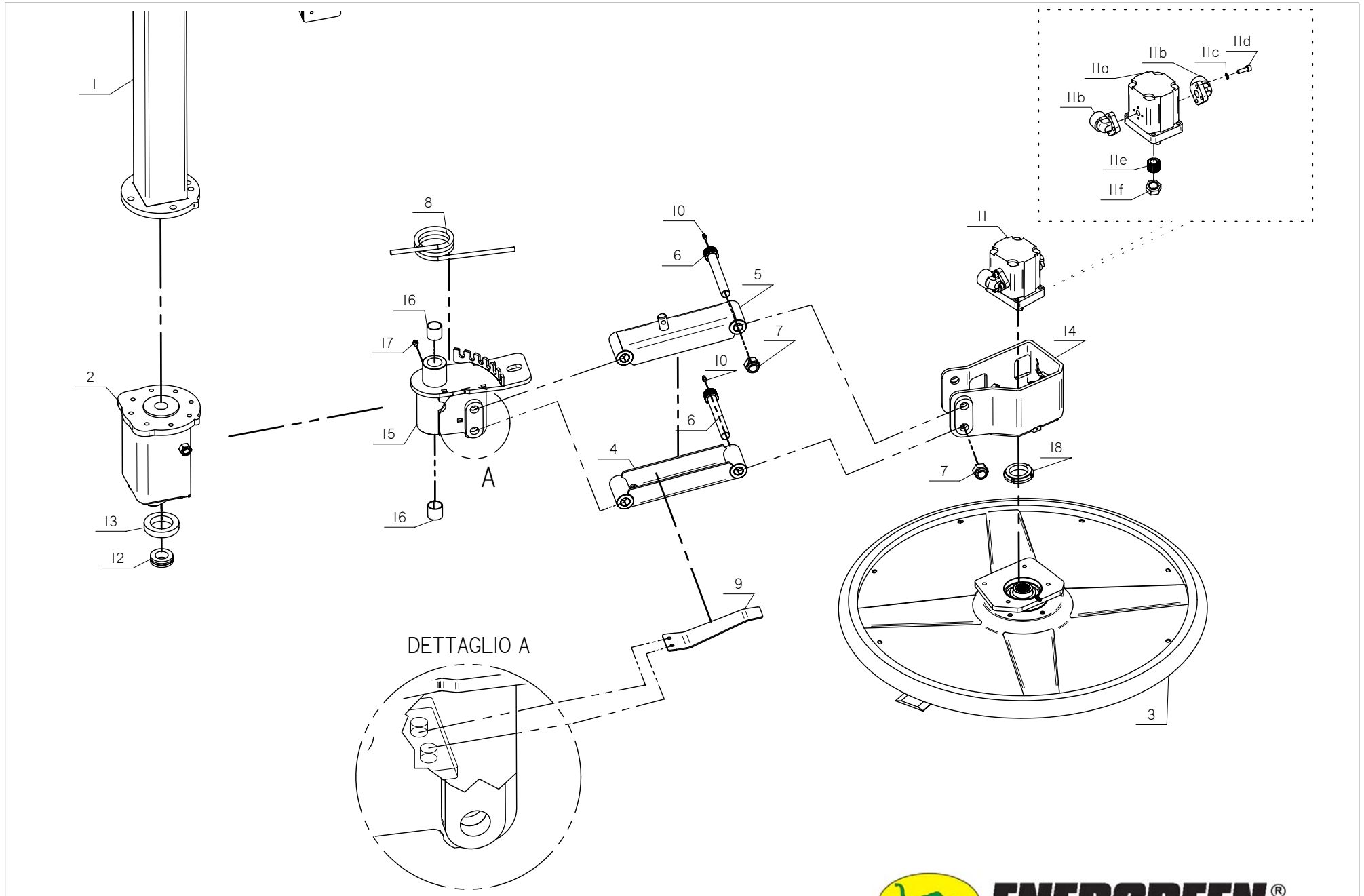
| POS. | Q.TA' | COD. | DESCRIZIONE | DESCRIPTION |
|------|-------|--------------|-------------------------------|--|
| 1 | 1 | E00801200200 | MONTANTE SX | LEFT JAMB |
| 2 | 1 | E30021312030 | VITE TE PF PG M12x30 - 10,9 | HEXAGON BOLT M12x30 - 10.9 |
| 3 | 1 | E00703623500 | ATTACCO DISCHI SX | LEFT DISK CONNECTION |
| 4 | 1 | E00301202200 | BRACCIO SUP COMPLETO | COMPLETE UPPER CONNECTION |
| 5 | 1 | E00301202100 | BRACCIO INF COMPLETO | COMPLETE LOWER CONNECTION |
| 6 | 1 | E00301224800 | MOLLA PIATTO SX | LEFT PLATE SPRING |
| 7 | 4 | E00301224501 | PERNO M20 | PIVOT M20 |
| 8 | 4 | E31050102020 | DADOAUTOBLOCCANTE M20 | HEXAGON LOCK NUT M20 |
| 9 | 1 | E00801200500 | PIATTO SX | LEFT PLATE |
| 10 | 1 | E00301221300 | SUPP. MOTORE SX | LEFT ENGINE SUPPORT |
| 11 | 1 | E00801270300 | PRECOMPOSTO MOTORE | ENGINE ASSY |
| 11a | 1 | E40311080001 | MOTORE INGR. 15 cc. | GEAR ENGINE 15 cc |
| 11b | 2 | E64003403040 | RACCORDO 90° PER POMPA | PUMP CONNECTOR 90° |
| 11c | 6 | E33031000M08 | RONDELLA ELASTICA M8 | SPRING WASHER M8 |
| 11d | 6 | E30031408025 | VITE TCEI M8 x 25- 8.8 | HEX. SOCKET HEAD CAP SCREW M8 x 25 - 8.8 |
| 11e | 1 | E80803Z15C18 | SEMIGIUNTO Z=15 CONICITA' 1:8 | MALE COUPLING FOR GEAR PUMP |
| 11f | 1 | E31010102012 | DADO BASSO M12 x 15 - 8.8 | NUT M12 x15 - 8.8 |
| 12 | 1 | E00301224700 | MOLLA DI SOSPENSIONE | SPRING |
| 13 | 4 | E35A10601000 | INGRASSATORE M6X1 | GREASE NIPPLES M6x1 |
| 14 | 1 | E368SKF51206 | CUSCINETTO SKF51206 | BEARING SKF51206 |
| 15 | 1 | E00801220900 | PARAPOLVERE | DUST SEAL |
| 16 | 1 | E00703623600 | SUPPORTO | SUPPORT |
| 17 | 2 | E39011303430 | CUSCINETTO CILINDRICO | BEARING |
| 18 | 1 | E35A71001000 | INGRASSATORE M10X1 | GREASE NIPPLES M10x1 |
| 19 | 1 | E31040202045 | GHIERA M45x15 | GEAR M45x15 |





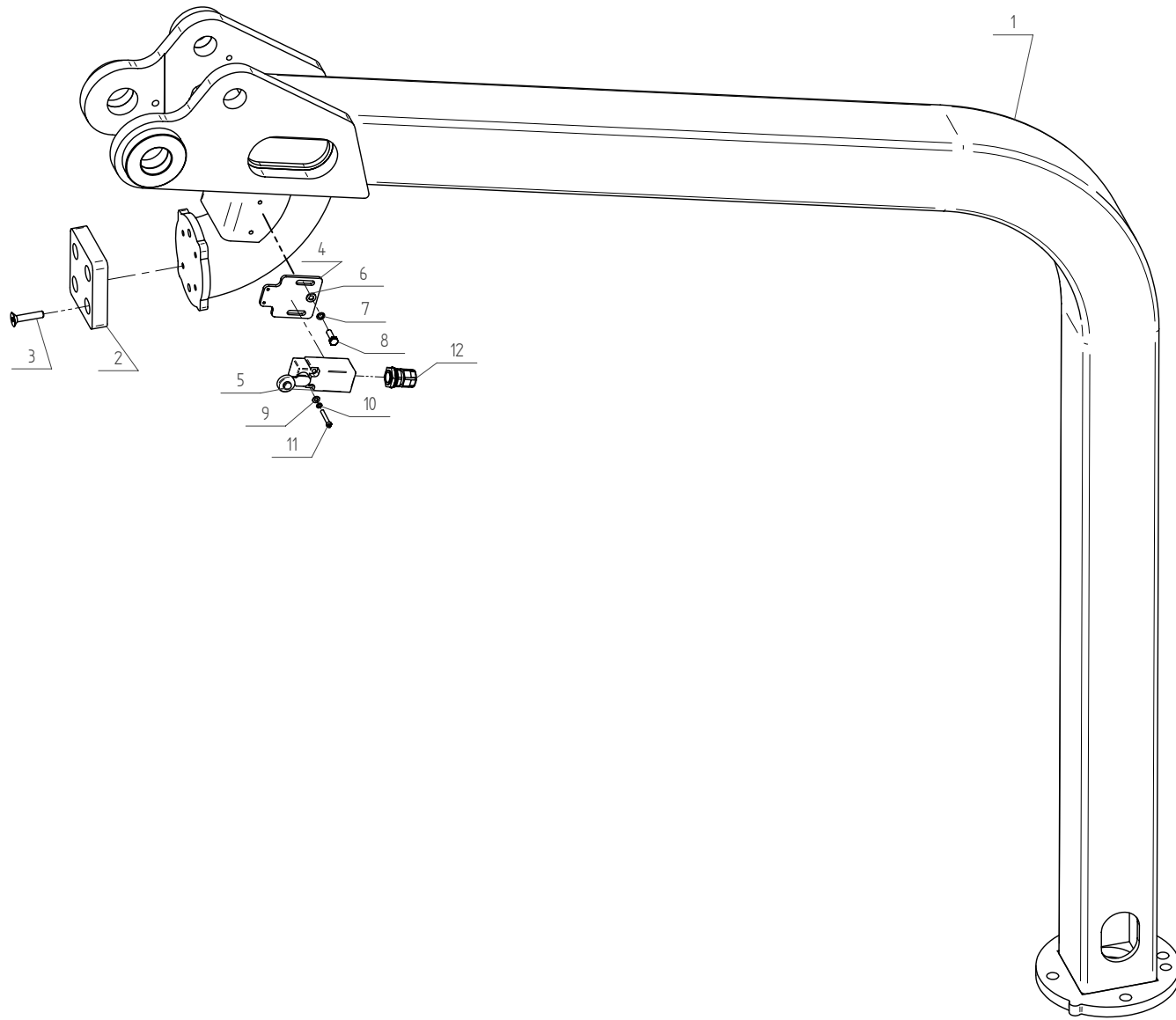
| POS. | Q.TA' | COD. | DESCRIZIONE | DESCRIPTION |
|------|-------|--------------|-------------------------------|--|
| 1 | 1 | E00801200100 | MONTANTE DX | RIGHT JAMB |
| 2 | 1 | E00801220300 | ATTACCO DISCHI | DISK CONNECTION |
| 3 | 1 | E00801200400 | PIATTO DX | RIGHT PLATE |
| 4 | 1 | E00301202100 | BRACCIO INF COMPLETO | COMPLETE LOWER CONNECTION |
| 5 | 1 | E00301202200 | BRACCIO SUP COMPLETO | COMPLETE UPPER CONNECTION |
| 6 | 4 | E00301224501 | PERNO M20 | PIVOT M20 |
| 7 | 4 | E31050102020 | DADO AUTOBLOCCANTE M20 | HEXAGON LOCK NUT M20 |
| 8 | 1 | E00301224900 | MOLLA DX | RIGHT SPRING |
| 9 | 1 | E00301224700 | MOLLA DI SOSPENSIONE | SPRING |
| 10 | 4 | E35A10601000 | INGRASSATORE M6X1 | GREASE NIPPLES M6x1 |
| 11 | 1 | E00801270300 | PRECOMPOSTO MOTORE | ENGINE ASSY |
| 11a | 1 | E40311080001 | MOTORE INGR. 15 cc. | GEAR ENGINE 15cc |
| 11b | 2 | E64003403040 | RACCORDO 90° PER POMPA | PUMP CONNECTOR 90° |
| 11c | 6 | E33031000M8 | RONDELLA ELASTICA M8 | SPRING WASHER M8 |
| 11d | 6 | E30031408025 | VITE TCEI M8 x 25- 8.8 | HEX. SOCKET HEAD CAP SCREW M8 x 25 - 8.8 |
| 11e | 1 | E80803Z15C18 | SEMIGIUNTO Z=15 CONICITA' 1:8 | MALE COUPLING FOR GEAR PUMP |
| 11f | 1 | E31010102012 | DADO BASSO M12 x 1,5 - 8,8 | NUT M12 x 1.5 - 8.8 |
| 12 | 1 | E368SKF51206 | CUSCINETTO SKF51206 | BEARING SKF51206 |
| 13 | 1 | E00801220900 | PARAPOLVERE | DUST SEAL |
| 14 | 1 | E00301222200 | SUPP. MOTORE DX | ENGINE SUPPORT |
| 15 | 1 | E00301220400 | SUPPORTO | SUPPORT |
| 16 | 2 | E39011303430 | CUSCINETTO CILINDRICO | BEARING |
| 17 | 1 | E35A71001000 | INGRASSATORE M10X1 | GREASE NIPPLES M10x1 |
| 18 | 1 | E31040202045 | GHIERA M45x1,5 | GEAR M45x1.5 |





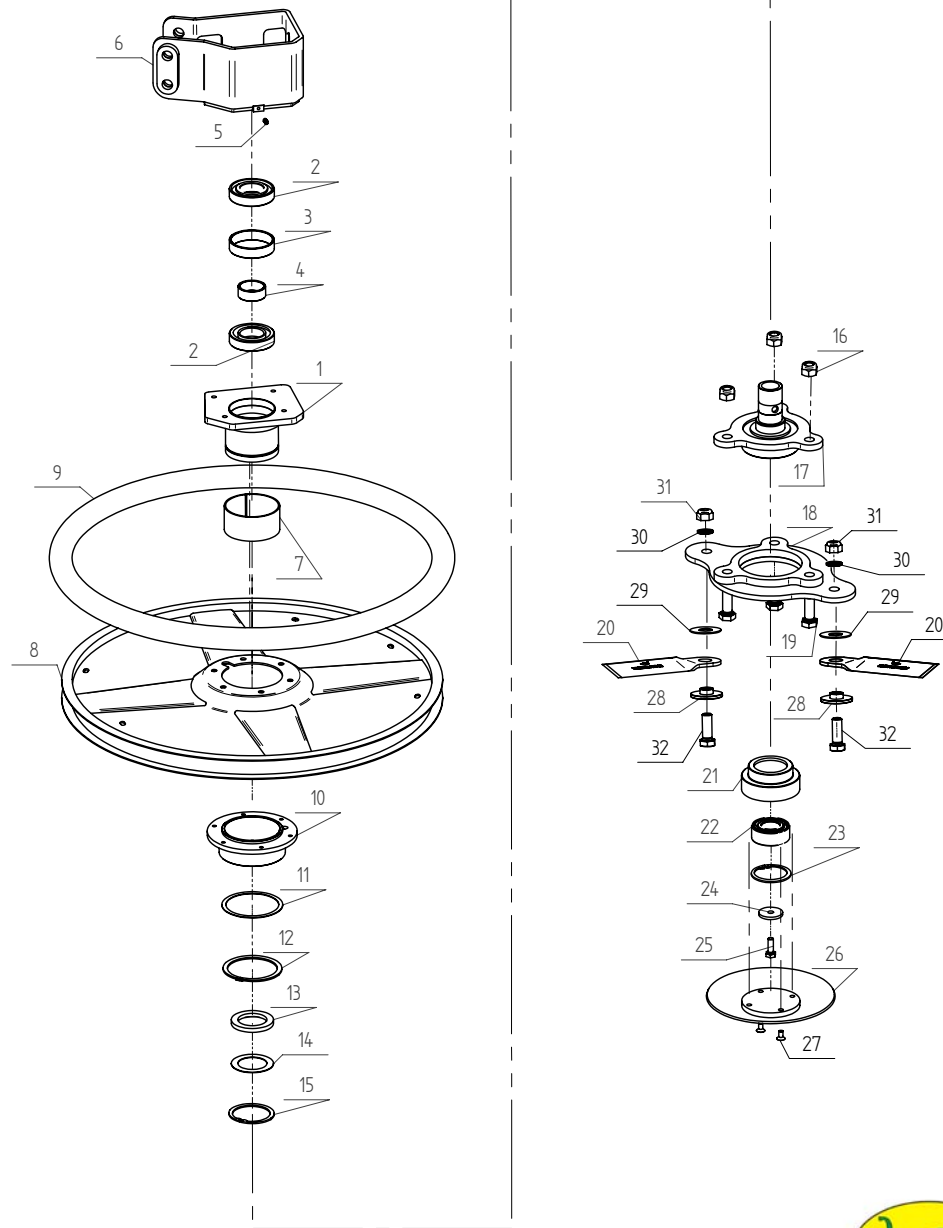
| POS. | Q.TA' | CODICE | DESCRIZIONE | DESCRIPTION |
|------|-------|--------------|-----------------------------|---|
| 1 | 1 | E00801220000 | MONTANTE DX | RIGHT JAMB |
| 2 | 1 | E00301223800 | PIASTRA | PLATE |
| 3 | 4 | E30041208040 | VITE TS EI PG M8x40 - 8,8 | SOCKET FLAT HEAD CAP SCREW M8x40 - 8.8 |
| 4 | 1 | E00801222500 | SUPPORTO RELE | RELE SUPPORT |
| 5 | 1 | E907ER800100 | MICRO INTERRUETTORE | SWITCH |
| 6 | 2 | E33011000M06 | RONDELLA M6 | WASHER M6 |
| 7 | 2 | E33031000M06 | RONDELLA ELASTICA M6 | SPRING WASHER M6 |
| 8 | 2 | E30011306020 | VITE TE IF PG 10,9 M6x20 | HEXAGON BOLT M6x20 - 8.8 |
| 9 | 2 | E33011000M04 | RONDELLA M4 | WASHER M4 |
| 10 | 2 | E33031000M04 | RONDELLA ELASTICA M4 | SPRING WASHER M4 |
| 11 | 2 | E30031204030 | VITE TC EI PG M4 x 30 - 8,8 | HEXAGON SOCKET HEAD CAP SCREW M4x30 - 8.8 |
| 12 | 1 | E918012PG135 | PRESSACAPO PG13,5 | CABLE GLANDS PG13,5 |





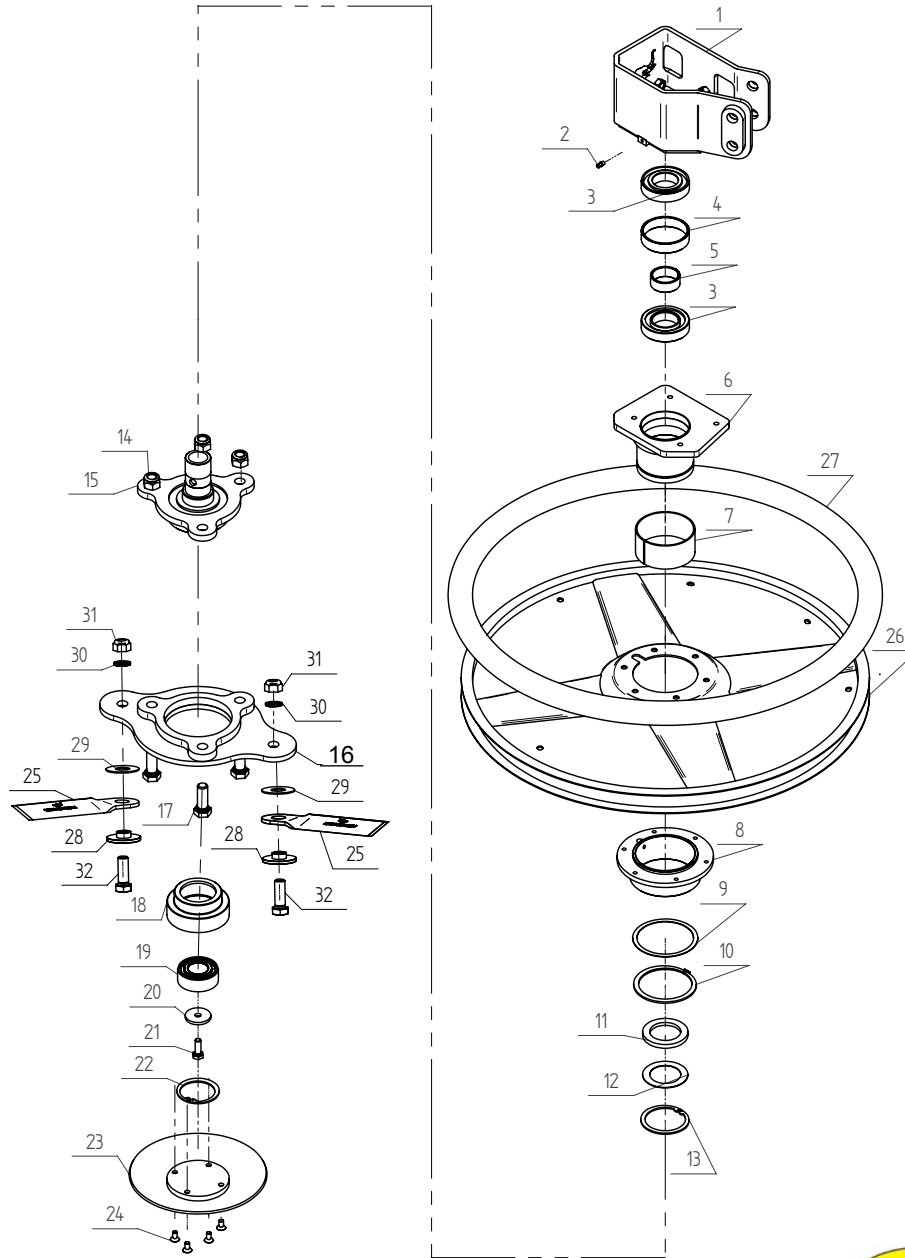
| POS. | Q.TA' | COD. | DESCRIZIONE | DESCRIPTION |
|------|-------|--------------|--------------------------------|---|
| 1 | 1 | E00301222300 | SUPPORTO DX | RIGHT SUPPORT |
| 2 | 2 | E36500007209 | CUSCINETTO SKF 7209 | BEARING SKF 7209 |
| 3 | 1 | E00301221400 | DISTANZIALE ø85 | SPACER ø85 |
| 4 | 1 | E00301221500 | DISTANZIALE | SPACER |
| 5 | 1 | E35A10601000 | INGRASSATORE M6X1 | GREASE NIPPLES M6x1 |
| 6 | 1 | E00301222200 | SUPP. MOTORE DX | RIGHT ENGINE SUPPORT |
| 7 | 1 | E39110010550 | BOCCOLA ø105 ø100 H50 | STEEL BUSHES Ø105 Ø100 H50 |
| 8 | 1 | E00801220600 | CARTER | COVER |
| 9 | 1 | E00801221100 | GOMMA ANTIABRASIONE | PROTECTION RUBBER |
| 10 | 1 | E00301222000 | FLANGIA | FLANGE |
| 11 | 1 | E00301223200 | RASAMENTO | MOWING |
| 12 | 1 | E38011000001 | ANELLO D'ARRESTO J100 | CIRCLIP J100 |
| 13 | 1 | E60022558008 | PARAOLIO | OIL SEAL |
| 14 | 1 | E00301221600 | ANELLO | RING |
| 15 | 1 | E38020800001 | ANELLO D'ARRESTO D80 | CIRCLIP D80 |
| 16 | 3 | E31050102018 | DADO AUTOBLOC. M18 | HEXAGON LOCK NUT M18 |
| 17 | 1 | E00301220800 | ALBERO ø 45 | SHAFT ø 45 |
| 18 | 1 | E00801220700 | PORTACOLTELLI | KNIFE SUPPORT |
| 19 | 3 | E30012218070 | VITE TE IF PG M18x1,5x70 - 8,8 | HEXAGON BOLT M18x1,5x70 - 8.8 |
| 20 | 2 | E00301225600 | COLTELLO | KNIFE |
| 21 | 1 | E00301221800 | ATTACCO FONDELLO | BOTTOM CONNECTION |
| 22 | 1 | E3663207A2RS | CUSCINETTO SKF 3207A | BEARING SKF 3207A |
| 23 | 1 | E38020720001 | SEEGER | SEEGER RING |
| 24 | 1 | E00301221700 | RONDELLA | WASHER |
| 25 | 1 | E30011310030 | VITE TE IF PG M10 X 30 - 10,9 | HEXAGON BOLT M10 x 30 - 10.9 |
| 26 | 1 | E00301223100 | FONDELLO | BOTTOM |
| 27 | 4 | E30031408020 | VITE TCEI PG M8x20 - 8.8 | HEXAGON SOCKET HEAD CAP SCREW M8x20 - 8.8 |
| 28 | 2 | E00301225800 | RONDELLA | WASHER |
| 29 | 2 | E00301226200 | RONDELLA Sp.2 | WASHER |
| 30 | 2 | E33031000M18 | GROWER M18 | GROWER M18 |
| 31 | 2 | E31120202018 | DADO AUTOBLOC. M18x1,5 | LOCK NUT M18x1,5 |
| 32 | 2 | E30012218055 | VITE TE IF PG M18x1,5x55 - 8,8 | HEXAGON BOLT M18x1,5x55 - 8.8 |





| POS. | Q.TA' | CODICE | DESCRIZIONE | DESCRIPTION |
|------|-------|--------------|--------------------------------|---|
| 1 | 1 | E00301221300 | SUPP. MOTORE SX | LEFT ENGINE SUPPORT |
| 2 | 1 | E35A10601000 | INGRASSATORE M6x1 | GREASE NIPPLES M6x1 |
| 3 | 2 | E36500007209 | CUSCINETTO SKF 7209 | BEARING SKF 7209 |
| 4 | 1 | E00301221400 | DISTANZIALE ø85 | SPACER Ø85 |
| 5 | 1 | E00301221500 | DISTANZIALE | SPACER |
| 6 | 1 | E00301221200 | SUPPORTO SX | LEFT SUPPORT |
| 7 | 1 | E39110010550 | BOCCOLA ø105 ø100 H50 | STEEL BUSHES ø105 ø100 H50 |
| 8 | 1 | E00301222000 | FLANGIA | FLANGE |
| 9 | 1 | E00301223200 | RASAMENTO | MOWING |
| 10 | 1 | E38011000001 | ANELLO D'ARRESTO J100 | CIRCLIP J100 |
| 11 | 1 | E60022558008 | PARAOLIO | OIL SEAL |
| 12 | 1 | E00301221600 | ANELLO | RING |
| 13 | 1 | E38020800001 | ANELLO D'ARRESTO D80 | CIRCLIP D80 |
| 14 | 3 | E31050201018 | DADO AUTOBLOC. M18 | HEXAGON LOCK NUT M18 |
| 15 | 1 | E00301220800 | ALBERO ø 45 | SHAFT ø 45 |
| 16 | 1 | E00801220700 | PORTACOLTELLI | KNIFE SUPPORT |
| 17 | 3 | E30012218070 | VITE TE IF PG M18x1,5x70 - 8,8 | HEXAGON BOLT M18x1,5x70 - 8.8 |
| 18 | 1 | E00301221800 | ATTACCO FONDELLO | BOTTOM CONNECTION |
| 19 | 1 | E3663207A2RS | CUSCINETTO SKF 3207A | BEARING SKF 3207A |
| 20 | 1 | E00301221700 | RONDELLA | WASHER |
| 21 | 1 | E30011310030 | VITE TE IF PG M10 X 30 - 10,9 | HEXAGON BOLT M10 X 30 - 10.9 |
| 22 | 1 | E38020720001 | SEEGER | SEEGER RING |
| 23 | 1 | E00301223100 | FONDELLO | BOTTOM |
| 24 | 4 | E30031408020 | VITE TCEI PG M8x20 - 8.8 | HEXAGON SOCKET HEAD CAP SCREW M8x20 - 8.8 |
| 25 | 2 | E00301225600 | COLTELLO | KNIFE |
| 26 | 1 | E00801220600 | CARTER | COVER |
| 27 | 1 | E00801221100 | GOMMA ANTIABRASIONE | PROTECTION RUBBER |
| 28 | 2 | E00301225800 | RONDELLA | WASHER |
| 29 | 2 | E00301226200 | RONDELLA Sp.2 | WASHER |
| 30 | 2 | E33031000M18 | GROWER M18 | GROWER M18 |
| 31 | 2 | E31120202018 | DADO AUTOBLOC. M18x1,5 | LOCK NUT M18x1,5 |
| 32 | 2 | E30012218055 | VITE TE IF PG M18x1,5x55 - 8,8 | HEXAGON BOLT M18x1,5x55 - 8.8 |







ENERGREEN SRL

Via Pietre, 73

36026 Cagnano di Pojana Maggiore (VI) - ITALY

Tel. +39 0444 864301

Fax. +39 0444 864366

www.energreen.it

commerciale@energreen.it



AZIENDA CON SISTEMA
DI GESTIONE QUALITÀ
CERTIFICATO DA DNV
— ISO 9001 —
151550 - 2014